

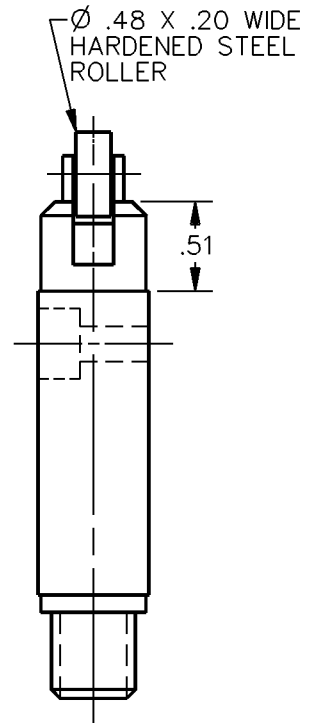
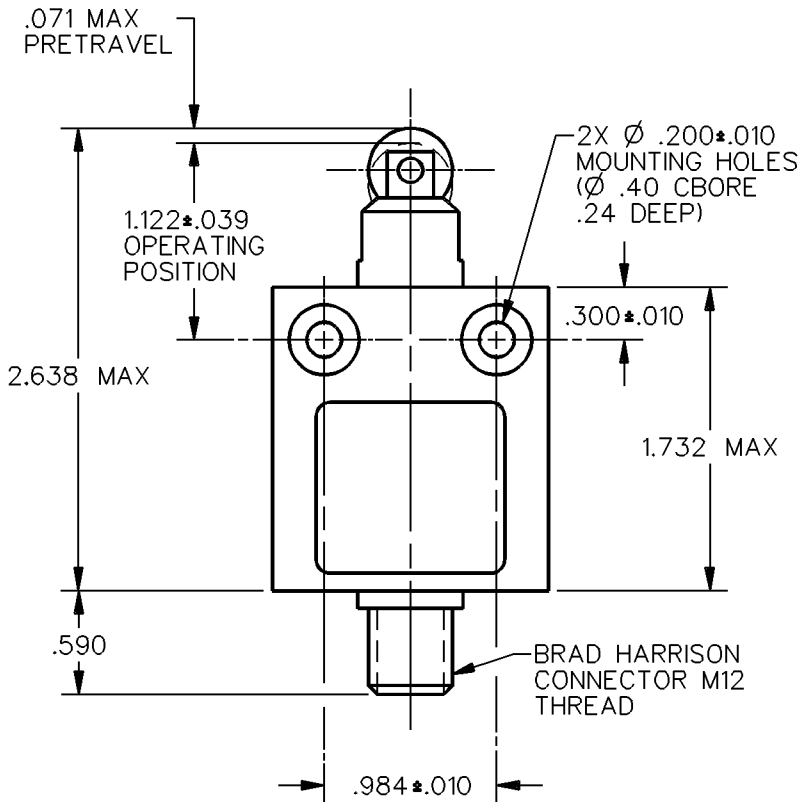
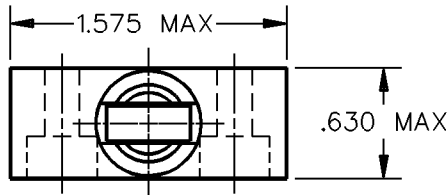
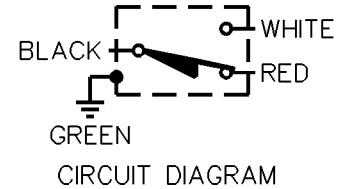
**MICRO SWITCH**  
a Honeywell Division

FED. MFG. CODE 91929

**MINIATURE PRECISION  
LIMIT SWITCH**

CATALOG LISTING

**914CE2-Q**

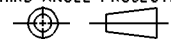




NOTES  
1 - ZINC HOUSING FINISHED WITH GRAY PAINT

ANSI Y14.5M-1982 APPLIES

THIS DRAWING COVERS A PROPRIETARY ITEM AND IS THE PROPERTY OF MICRO SWITCH, A DIVISION OF HONEYWELL. THIS DRAWING IS NOT TO BE COPIED OR USED WITHOUT THE APPROVAL OF MICRO SWITCH.

THIRD ANGLE PROJECTION



CHARACTERISTICS	ELECTRICAL DATA	SCALE FULL	DO NOT SCALE PRINT
OPERATING FORCE — — — 2.7 LB MAX	CONTACT ARRANGEMENT S P D T	<b>UNLESS OTHERWISE SPECIFIED TOLERANCES ARE</b>	
RELEASE FORCE — — — — 1.0 LB MIN	5A - 250 VAC 1/10HP - 125 OR 250 VAC		
DIFFERENTIAL TRAVEL — — — .004 MAX		TWO PLACE (.00) ± .015	
OVERTRAVEL — — — — — .118 MIN	 	THREE PLACE (.000) ± .005	ANGLES ±
		WEIGHT	

914CE2-Q  
 M  
 DRAWING NUMBER  
 1  
 ISSUE  
 REVISIONS  
 CHECK  
 CHECK  
 DDM/CAD  
 DRAWN  
 SA V 11 OCT 91  
 CHECK  
 RELEASE NO. CO-69061  
 REPLACES